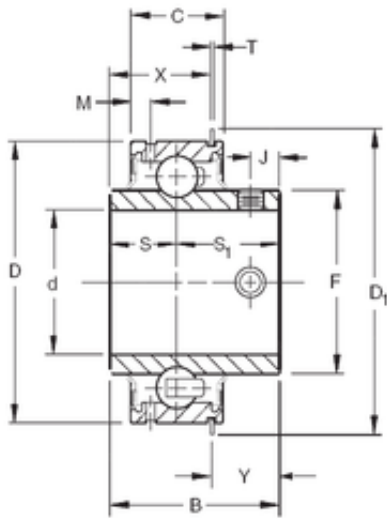




Shandong Shenjie Bearing Co., Ltd.



55,5625 mm x 100 mm x 55,56 mm TIMKEN ER35 Insert Bearings Cylindrical OD

Bearing No. ER35

Size	55.5625x100x55.56 mm
Bore Diameter	55,5625 mm
Outer Diameter	100 mm
Width	55,56 mm
d	55,5625 mm
D	100 mm
B	55,56 mm
C	30,16 mm
Y	24,28 mm
S1	33,34 mm
X	31,27 mm
D1	106,4 mm
F	69,85 mm
J	9,92 mm
M	7,14 mm
S	22,22 mm
T	2,4 mm
Thread (G)	M10X1,5

ER35 Bearing 2D drawings and 3D CAD models