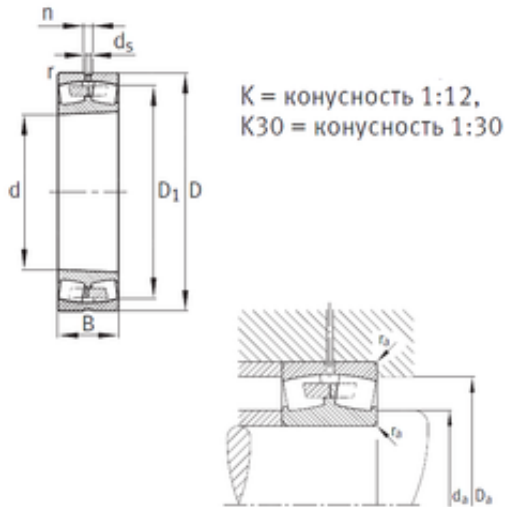




Shandong Shenjie Bearing Co., Ltd.



K = конусность 1:12,
K30 = конусность 1:30

400 mm x 650 mm x 200 mm FAG 23180-B-K-MB Spherical Roller Bearings

Bearing No. 23180-B-K-MB

23180-B-K-MB Bearing 2D drawings and 3D CAD models

Size	400x650x200 mm
Bore Diameter	400 mm
Outer Diameter	650 mm
Width	200 mm
d	400 mm
D	650 mm
B	200 mm
C	200 mm
n	23,5 mm
r min.	6 mm
D1	567,2 mm
da min.	426 mm
Da max.	624 mm
ra max.	5 mm
d5	12,5 r/min
Weight	261 Kg
Basic dynamic load rating (C)	4250 kN
Basic static load rating (C0)	8500 kN
Fatigue load limit (Pu)	670
Reference speed	485 r/min
Limiting speed	750 r/min
Calculation factor (e)	0,31
Calculation factor (Y0)	2,1
Calculation factor (Y1)	2,15